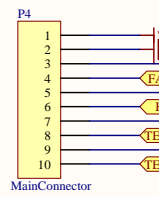
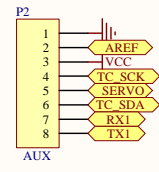
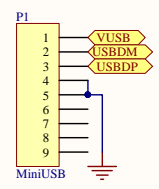
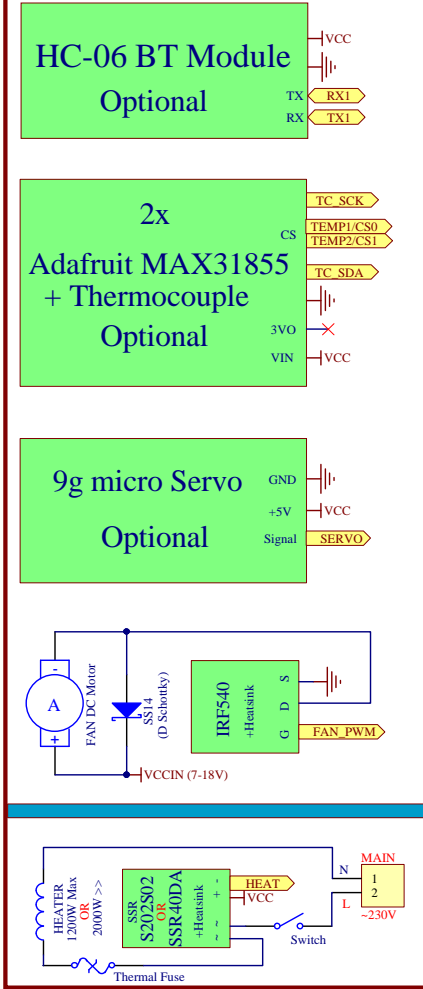


Roastuino v1.0

cyberelectronics.org



TEMP1 and TEMP2 = 2x EPCOS - B57560G104F - THERMISTOR 100K 1%
TEMP1 (Air) Optional - use 100K resistor to VCC instead

